



Bangladesh University of Engineering and Technology

Department of Electrical and Electronic Engineering

4IR Advanced Research and Innovation Park

Applied Artificial Intelligence Research Laboratory

Key Research Areas:

Big Data, AI, Machine Learning, Deep Neural Networks, Health Informatics

Collaborative Entities:

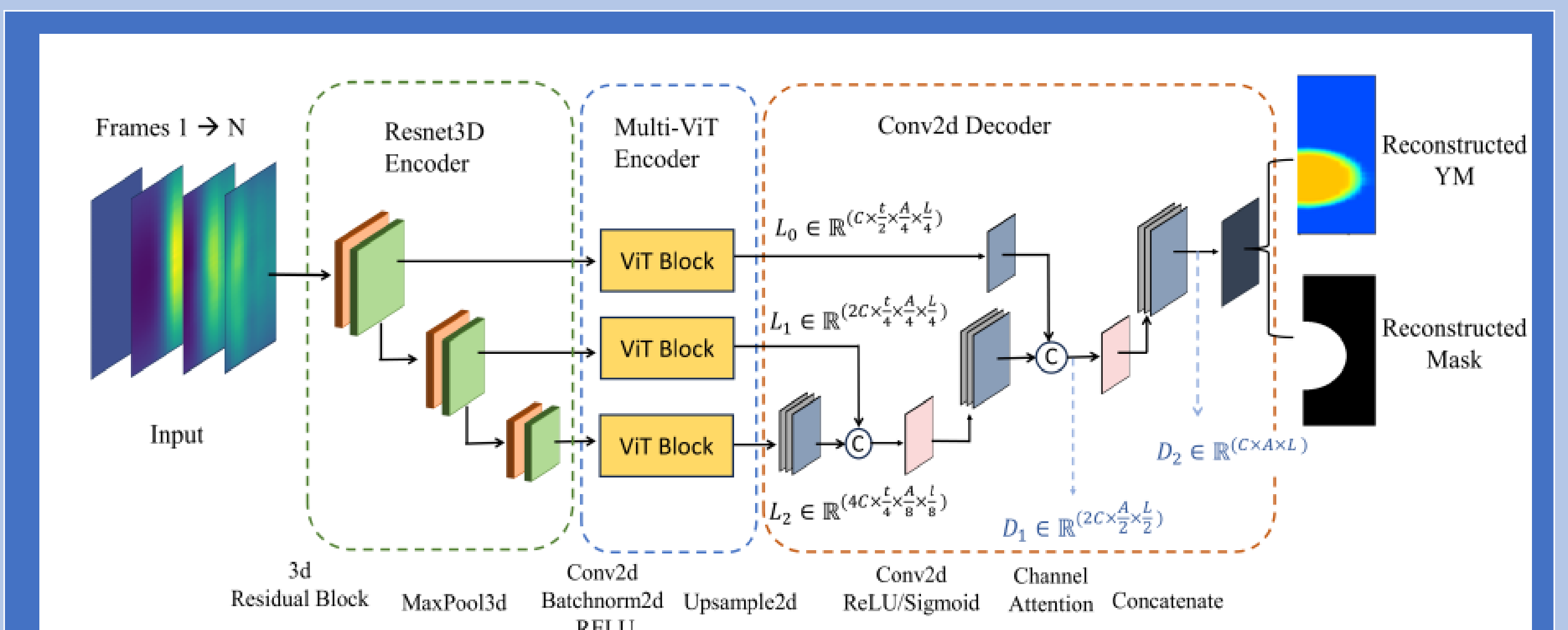
ICT Division, Google, Microsoft Research

Collaborative Activities:

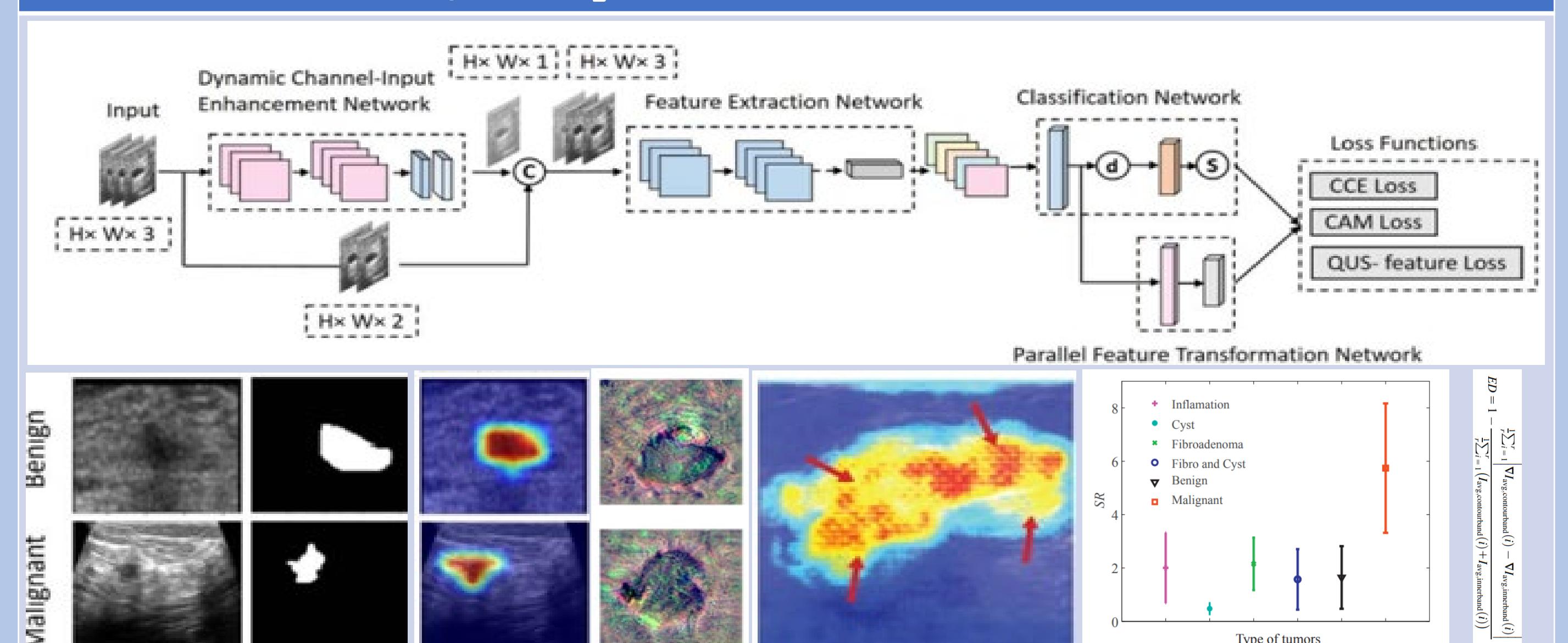
Research and innovation in the area of big data analysis, applied machine learning and artificial intelligence



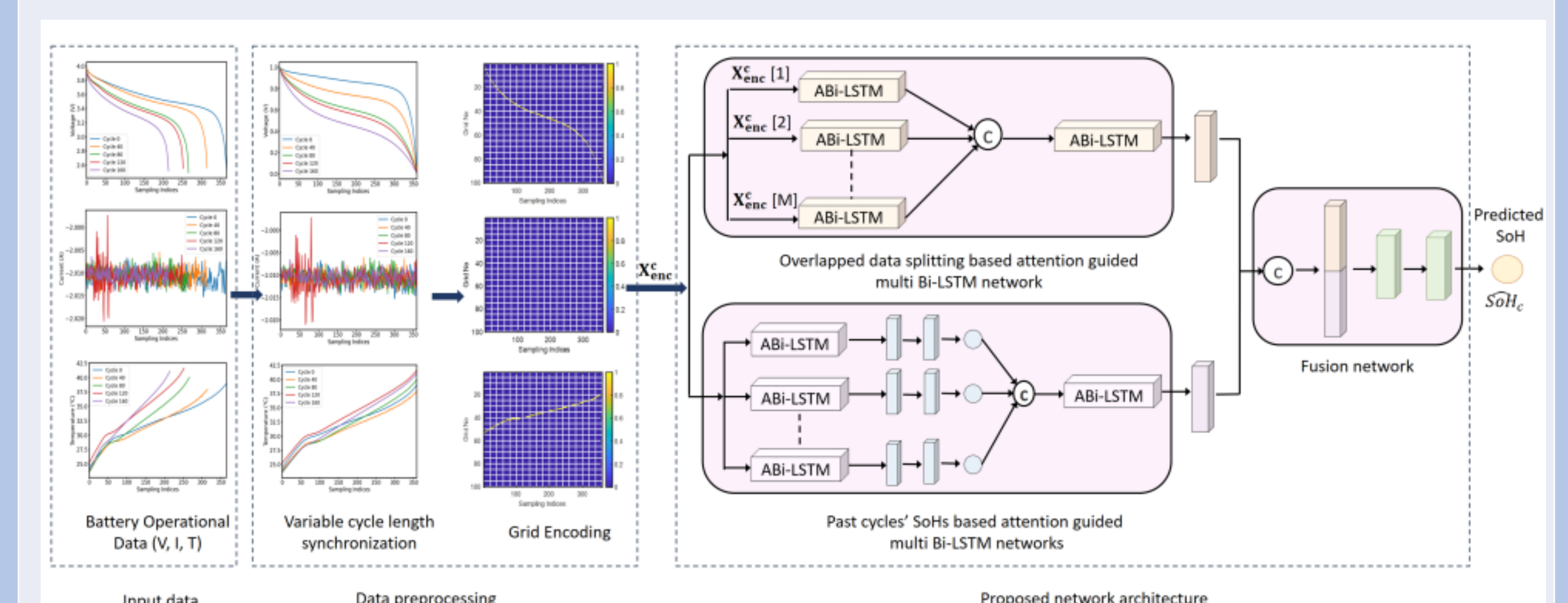
Some Funded Projects:



DL-Based Shear Wave Imaging and Segmentation. [Fuji Film Healthcare, USA]



ML Based Breast Cancer Detection. [HEQEP, UGC]



DL Based EV Battery Health Monitoring. [Poly Cable Industries Ltd, Bangladesh]

Objectives of the Lab:

- Advancing foundational AI research by accelerating AI-powered innovation
- Meet the needs of society in various sectors such as healthcare, transportation, wild-life protection, clean air and water, and national security.
- Building the next generation of talents for a diverse, well-trained workforce.
- Bringing together multidisciplinary groups of scientists, engineers and educators
- Creation and sharing of computational infrastructure, data and software to further research

Contact Information

Lab Directors: Prof. Dr. Md. Kamrul Hasan, Dr. Hafiz Imtiaz
Email: khasan@eee.buet.ac.bd, hafizimtiaz@eee.buet.ac.bd

